

# TRUE VISION

PASSION FOR FIRE NEW MODELS 2017



## ECO WAVE

Who doesn't love beautiful, dancing flames that can be adjusted, making it possible to reduce consumption by up to 50%? All our gas fireplaces are now automatically fitted with the Eco Wave, which regulates the flames' rhythm and height. The feeling of a real fire is increased even more as the flames' appearance changes, while using even less gas. Eco Wave ensures an ideal balance between cosiness, performance and gas consumption.

---

## ECO SWITCH

With larger fireplaces the Eco Switch provides extra options because you can turn one or two burners off if it gets too hot without making things less cosy. If, after a few hours, too much heat is being produced you can reduce the temperature by switching off a burner without the beautiful flame disappearing.

---

## Smartphone applications / Smartphone apps

All our fireplaces are fitted with reliable technology. But those who want to control their fire themselves can go a step further and opt for a personal investment: an app on your iPhone, iPad or Android. With the app you can determine the height and rhythm of the flames and choose your own level of cosiness and consumption. This is not only extremely practical, you also avoid having yet another remote control in your house. The fireplace can be operated by a number of smartphones or I pads at the same time and it is possible to operate more than one fireplace in the house with one smartphone.





ANTI-REFLECTIVE GLASS

3D BURNER

SAVE ON YOUR GAS  
-  
CHOOSE ONE OR MORE BURNERS



IOS and ANDROID OPERATION with Gateway

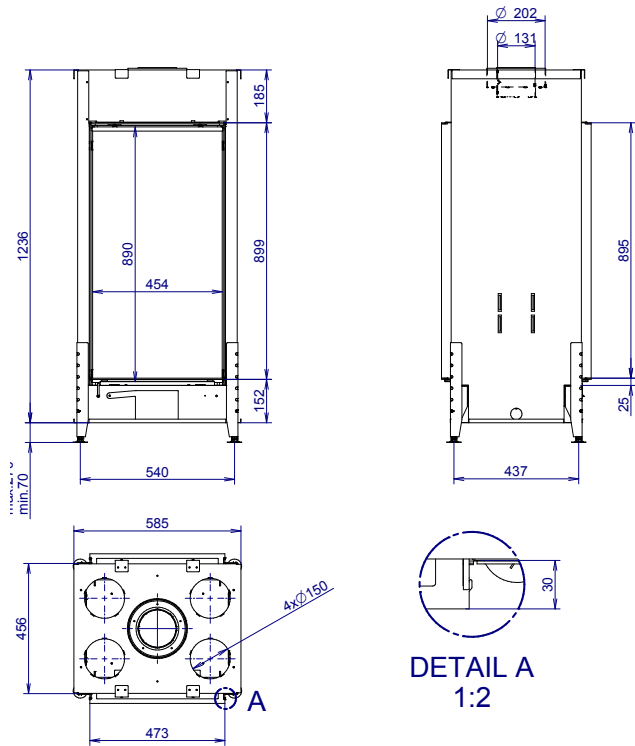
## OPTION

## NEW MODELS 2017

# TRUE VISION

	page
<b>Models type 550</b>	
True Vision 550 DV	4
True Vision 550 DC	5
 <b>Models Type 850</b>	
True Vision 850 DV	6
True Vision 850 VL	7
True Visions 850 DV L	8

# True Vision 550 DV



ECO WAVE ECO SWITCH

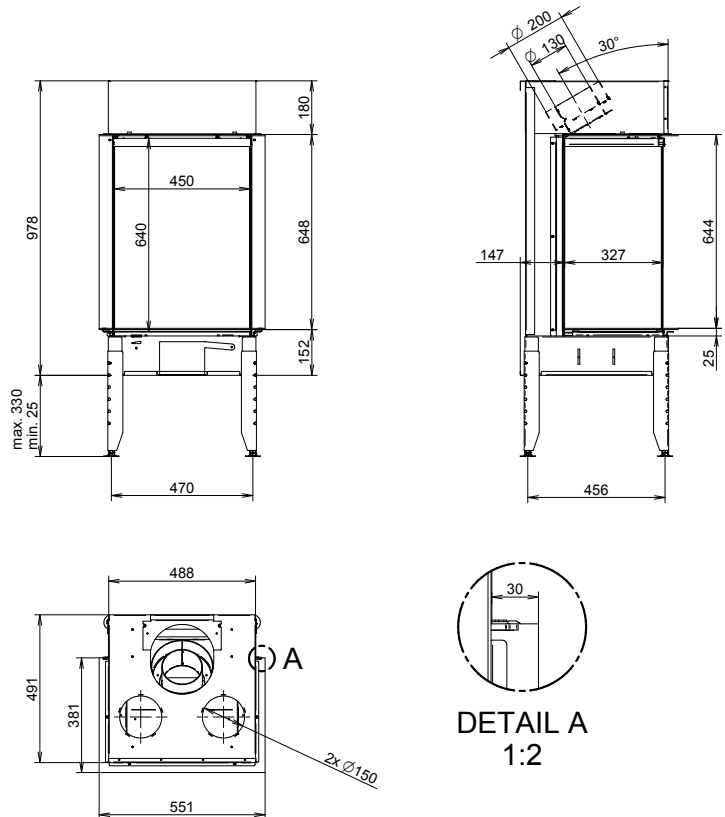
capacity	*2 - 7,5 KW
efficiency	82 %
weight	120 kg
smoke conduit	$\varnothing 130/200$ mm

\* min. if Eco-Wave and Eco-Switch are enabled



True Vision 550DV

# True Vision 550 DC



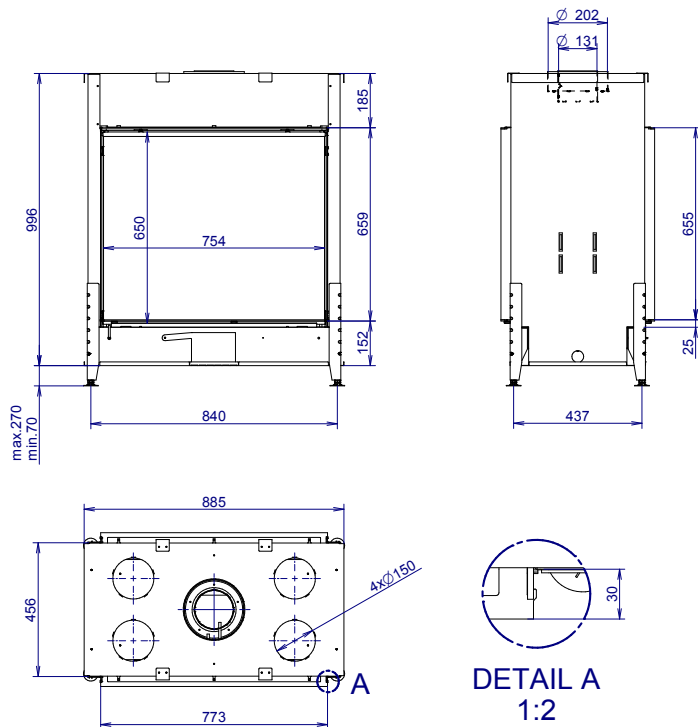
**ECO**WAVE **ECO**SWITCH

capacity	*2 - 7,5 KW
efficiency	79 %
weight	120 kg
smoke conduit	Ø 130/200 mm

\* min. if Eco-Wave and Eco-Switch are enabled



# True Vision 850 DV



ECO WAVE ECO SWITCH

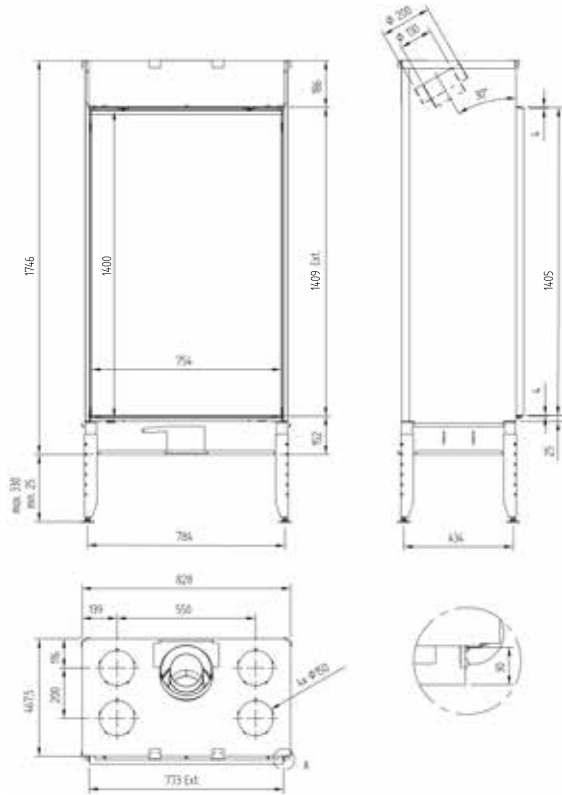
capacity	*3 - 11 KW
efficiency	80 %
weight	145 kg
smoke conduit	$\varnothing$ 130/200 mm

\* min. if Eco-Wave and Eco-Switch are enabled



True Vision 850 DV

# True Vision 850 VL



ECO WAVE ECO SWITCH

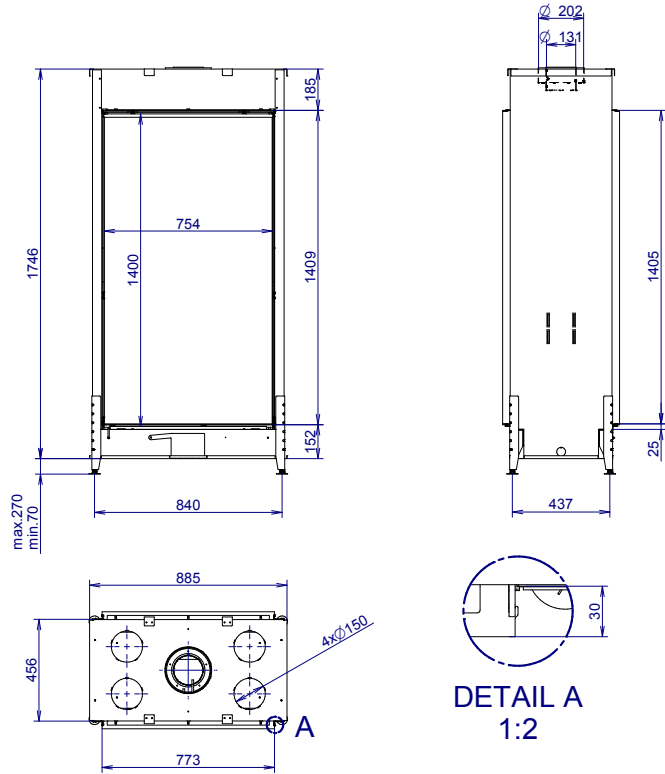
capacity	*3 -14 KW
efficiency	81 %
weight	210 kg
smoke conduit	Ø 130/200 mm

\* min. if Eco-Wave and Eco-Switch are enabled



True Vision 850 VL

# True Vision 850 DVL



ECO WAVE ECO SWITCH

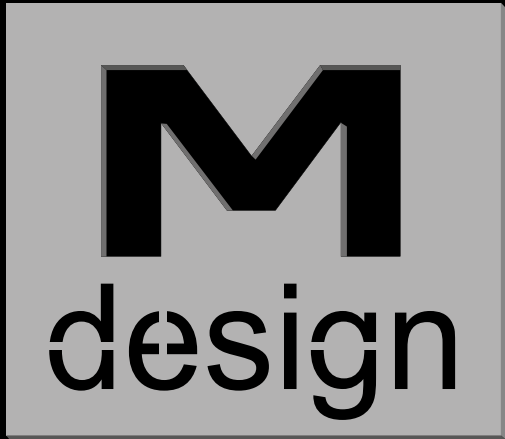
capacity	*3 - 13 KW
efficiency	80 %
weight	210 kg
smoke conduit	$\varnothing$ 130/200 mm

\* min. if Eco-Wave and Eco-Switch are enabled



True Vision 850 DVL





PASSION FOR FIRE



BEZOEK ONZE WEBSITE  
CONSULTEZ NOTRE SITE WEB

VISIT OUR WEBSITE  
BESUCHEN SIE UNSERE WEBSITE

[WWW.M-DESIGN.BE](http://WWW.M-DESIGN.BE)

